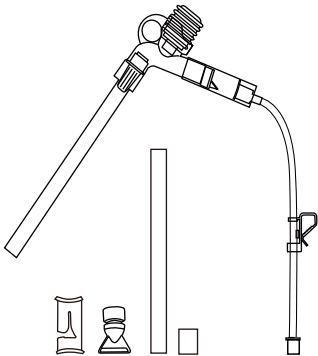




AQ-026 USER MANUAL

AQQA Manual Aquarium Gravel Cleaner



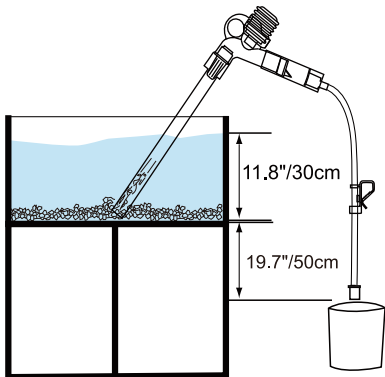
AQQA aquarium Gravel cleaner is a manual versatile tool to clean gravel, wash sand, and change water. This water washer makes it is easy to clean the debris hidden in the sand or floating in the water. Ideal for gravel cleaning and water changing, thus offering the best environment for your aquarium life.



Please read this user manual carefully before use and follow instructions carefully in accordance with the manual.



ATTENTION: The principle of this gravel cleaner is to siphon off waste. It requires the tank water level to be at around 11.8 inches and above, the water outlet must be lower 19.7 inches than the water inlet when you use this gravel cleaner.



1.PRODUCT FEATURES

Multi-function:This Gravel cleaner can be used for water changes, sand washing, and dirt absorption. This tools makes it easy to remove fish feces, impurities, and turbid water from aquariums.

Simple and common design: This Gravel vacuum cleaner is a simple design with a manual operation that will not produce noise and it is easy to operate and safe.

Extension pipe Design: This aquarium gravel cleaner comes with 2 extension tubes for a total length of 31 inches. It can be extended from 15.75 inches to 31 inches. This can be applied to depths below 31inches in aquariums and is suitable for small or large aquarium use.

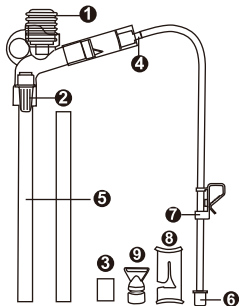
Prevent blocking Design: This Gravel cleaner comes with an internal filter basket which can effectively prevent blockages by gravel. It effectively separates and removes debris from your aquarium.

Long outlet strap hose design: 78inch strap hose, satisfies your needs and is suitable for small or large aquariums.

Easy to assemble: Quick assembly within one minute. Just mount the water inlet and outlet and go. Press the siphon switch several times until the water fills within the whole outlet strap tube, then release the siphon switch, water can flow out automatically following this. Equip a flow control valve and the hose fixture clamp. The outlet strap hose can be hung on the bucket and the water flow can be adjusted freely.

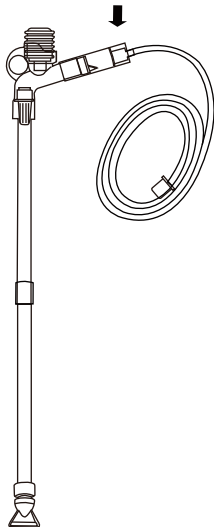
Powerful Vacuum: It's has enough power to clean every corner of the tank without wet hands, Quickly draining dirty water.

2.ASSEMBLY INSTRUCTION



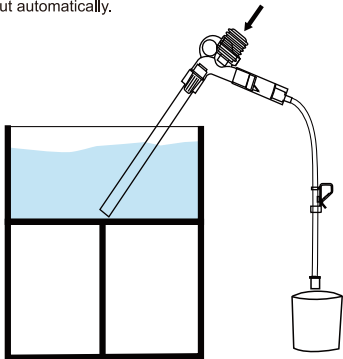
- ❶ siphon switch
- ❷ filter basket
- ❸ inlet connector
- ❹ outlet pipe
- ❺ 2pcs inlet tubes
- ❻ outlet nozzle
- ❼ fixture clamp
- ❽ water flow clamp
- ❾ Debris Vacuum

After assemble

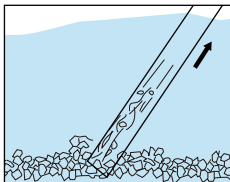


3.USE INSTRUCTION

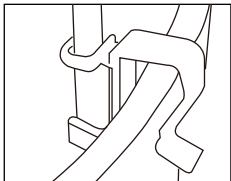
1)Place the extension tube into the aquarium and the water outlet into a bucket, then press the siphon switch several times until the water fills within the whole outlet strap tube, release the siphon switch, then water can flow out automatically.



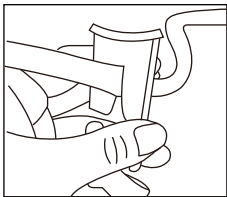
2)The sand moves up and down in the extension tube which can remove debris from your aquarium.



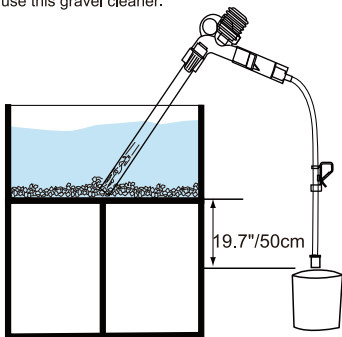
3) Clamp the outlet strap hose on the bucket with a hose fixture clamp to prevent the hose from falling off. The clamp can be adjusted from 15.7MM to 25.9MM which can exactly hold the hose.



4) The flow control valve can control the water flow, prevent water spills on the ground.



5)The water outlet must be lower 19.7inches (50cm) than the water inlet when you use this gravel cleaner.



4.ATTENTIONS

Please read this user manual carefully before use and follow instructions carefully in accordance with the manual.

- ✓ Please keep it away from the children.
- ✓ The water outlet must be lower 19.7inches (50cm) than the water inlet when you use this gravel cleaner.
- ✓ Please check for air leakage when connecting the tube.
- ✓ Please clean the internal waste regularly.
- ✓ Do not use the gravel cleaner in flammable and corrosive liquid.
- ✓ Do not use the water changer in too hot or too cold water (temperature above 36 ℃ or under 0 ℃). It can damage the material.

5.TROUBLESHOOTING

The device can not change water when the siphon tube is damaged, you need to change for a new one.

The outlet pipe cannot bend during use.

6.PACKAGE INCLUDED

1× Rod handle(1pc gravel changer+2pc extension tubes+1pc extension tube connector)

1× Debris Vacuum

1× Outlet strap hose

1× Flow control valve

1× Hose fixture clamp

7.WARRANTY

1. 1-year free warranty.

2. 1-month free return.

3. Free replacement for 3 months.

4. Contact information:

Company Name:Shenzhen Aiku Pet Technology Co.,Ltd

Add:Room 501,No.20,Lane 1,Lishipai,Dafapu Community

Bantian Street,Longgang District ,Shenzhen Guangdong. 518000

Hotline:888-666-0582(Free call in US)

Email:service@aqqapet.com

Website:<http://www.aqqapet.com>

Thank you for choosing AQQA, making aquarium keeping easier one product at a time.

If you have any problems or suggestions for the manual gravel cleaner, please contact us by email before leaving feedback or opening a case, it will be the fastest way to solve your problem.

If you are satisfied with the manual gravel cleaner, please leave positive feedback for our product, in order to let more customers enjoy it.

Thanks again!